

WORKROOM COFFEE – OUTDOOR EXTENSION

CONSTRUCTION DRAWINGS

DAFTAR GAMBAR

NO.	NOMOR GAMBAR	GAMBAR	JUDUL GAMBAR
1	I-0-000	NTS	COVER
2	I-0-101	NTS	DAFTAR GAMBAR
3	I-0-102	NTS	KETERANGAN NOTASI GAMBAR
4	A-1-101	1 : 50	DENAH UKURAN
5	A-1-201	1 : 50	DENAH MATERIAL
6	A-1-301	1 : 50	DENAH POLA LANTAI
7	A-1-401	1 : 50	DENAH LAMPU & LISTRIK
8	A-2-101	1 : 25	POTONGAN UKURAN 1
9	A-2-102	1 : 25	POTONGAN UKURAN 2
10	A-2-201	1 : 25	POTONGAN MATERIAL 1
11	A-2-202	1 : 25	POTONGAN MATERIAL 2
12	A-3-101	1 : 10	DETAIL PINTU BESI
13	A-1-501	1 : 50	DENAH KUNCI DETAIL ARSITEKTUR & INTERIOR
14	A-4-101	1 : 20	DETAIL BENCH & DINDING ROSTER
15	A-4-201	1 : 10	DETAIL SIGNAGE LOGO
16	A-4-301	1 : 5	DETAIL TATAKAN KAYU KECIL & BESAR
17	A-4-401	1 : 20	DETAIL PARTISI MUSALA
18	A-5-101	NTS	PERSPEKTIF

REVISION

REV. NO.	DATE	NOTES

KEY PLAN

THIS DOCUMENT IS PROPERTY OF DHANIE SAL
AND SHALL NOT BE REPRODUCED OR DUPLICATED
EXCEPT BY WRITTEN PERMISSION OF DHANIE SAL.
DO NOT SCALE FROM DRAWING.

STATUS

CONSTRUCTION DRAWING

DRAWN BY	DATE	REVISION
DARA	09.02.2026	-

FORMAT

A3

DRAWING TITLE	SCALE
DAFTAR GAMBAR	NTS

DRAWING NUMBER

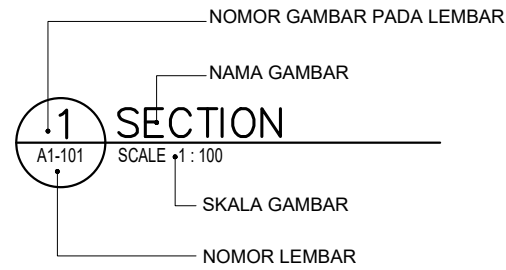
A - 0 - 101

KLASIFIKASI GAMBAR

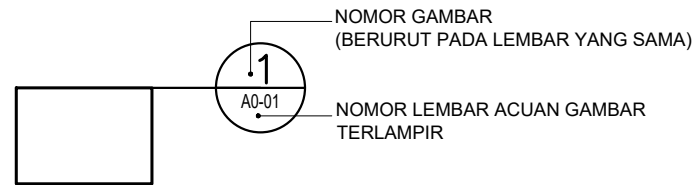
- A0** KETERANGAN & DAFTAR GAMBAR
- A1** KELOMPOK GAMBAR DENAH
- A2** KELOMPOK GAMBAR TAMPAK
- A3** KELOMPOK GAMBAR POTONGAN
- A4** KELOMPOK GAMBAR DENAH ELEKTRIKAL
- A5** KELOMPOK GAMBAR DETAIL TOILET
- A6** KELOMPOK GAMBAR DETAIL TANGGA
- A7** KELOMPOK GAMBAR DOOR SCHEDULE
- A8** KELOMPOK GAMBAR DETAIL TIPIKAL

SEMUA KETERANGAN UKURAN GAMBAR ADALAH DALAM SATUAN MILIMETER (MM)

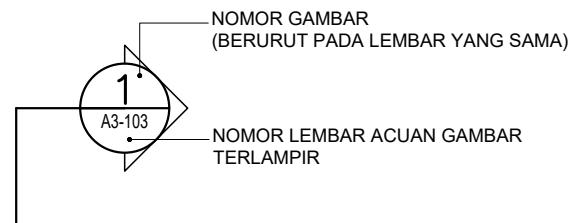
NOTASI JUDUL



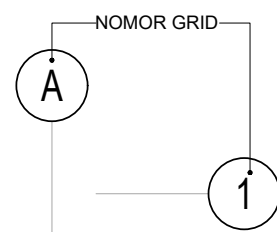
NOTASI DETAIL



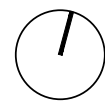
NOTASI POTONGAN



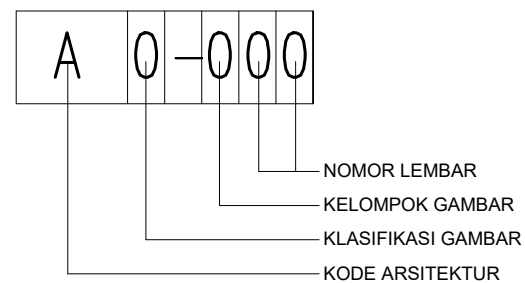
NOTASI GRID



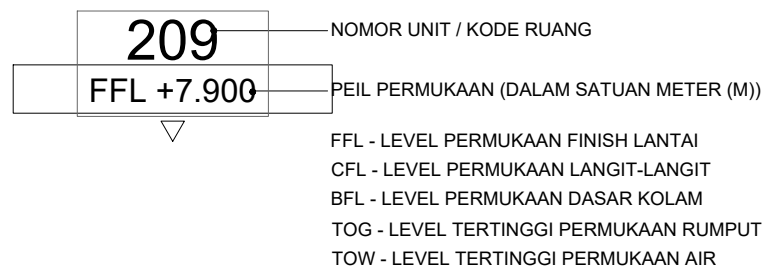
NOTASI ARAH (UTARA)



NOMOR LEMBAR



NOTASI PEIL



NOTASI LISTRIK

- = FLOOR MOUNTED SPOT LIGHTING
- = LED LIGHT
- = CEILING MOUNTED SPOT LIGHTING HALOGEN PINHOLE
- = PENDANT LAMP
- = CHANDELIER
- = LED DOWNLIGHT 2-WATT
- = WALL MOUNTED GENERAL LIGHTING -PLC ...WATT
- = WALL MOUNTED SPOT LIGHTING HALOGEN PINHOLE ANGLE ...
- = WALL MOUNTED - NEON /TL L=1200
- = CEILING MOUNTED GENERAL LIGHTING -PLC ...WATT
- = CEILING MOUNTED GENERAL LIGHTING -TL ...WATT
- = LAMPU BARET PLC 18W
- = RMI TL T5 2X28W WITH DIFFUSER AC
- = RMD TL T5 2X28W WITH RETURN
- = AIR CONDITIONER
- = POWER DISTRIBUTION BOARD
- = LIGHTING SWITCH - 10A/ 1 WAY H = 900 sd 1000
- = LIGHTING SWITCH - 10A/ 2 WAY H = 900 sd 1000
- = INTERMEDIATE LIGHTING SWITCH
- = LIGHTING SWITCH - 10A/ 1 WAY H = 1000 WITH DIMEAR
- = LIGHTING SWITCH - 10A/ 2 WAY H = 1000 WITH DIMEAR
- = INTERMEDIATE LIGHTING SWITCH WITH DIMEAR

INSTALASI DI DINDING PADA KETINGGIAN 1000 MM
DARI LEVEL FINISH LANTAI KECUALI DIINFORMASIKAN LAINNYA

PROJECT NO.

WORKROOM COFFEE 0017
& ROASTERY

CLIENT

ARCHITECT

O_SHULO
Jalan Dermaga No. 47, Balekambang, Kramatjati,
Jakarta Timur, DKI Jakarta 13530

STRUCTURAL ENGINEERING

MEP ENGINEERING

REVISION

REV. NO	DATE	NOTES

KEY PLAN

THIS DOCUMENT IS PROPERTY OF DHANIE SAL
AND SHALL NOT BE REPRODUCED OR DUPLICATED
EXCEPT BY WRITTEN PERMISSION OF DHANIE SAL
DO NOT SCALE FROM DRAWING.

STATUS

CONSTRUCTION DRAWING

DRAWN BY DATE REVISION
DARA 09.02.2026 -

FORMAT

A3

DRAWING TITLE SCALE

DAFTAR NOTASI GAMBAR NTS

DRAWING NUMBER

A - 0 - 102

REVISION

REV. NO	DATE	NOTES

KEY PLAN

THIS DOCUMENT IS PROPERTY OF DHANIE SAL AND SHALL NOT BE REPRODUCED OR DUPLICATED EXCEPT BY WRITTEN PERMISSION OF DHANIE SAL. DO NOT SCALE FROM DRAWING.

STATUS

CONSTRUCTION DRAWINGS

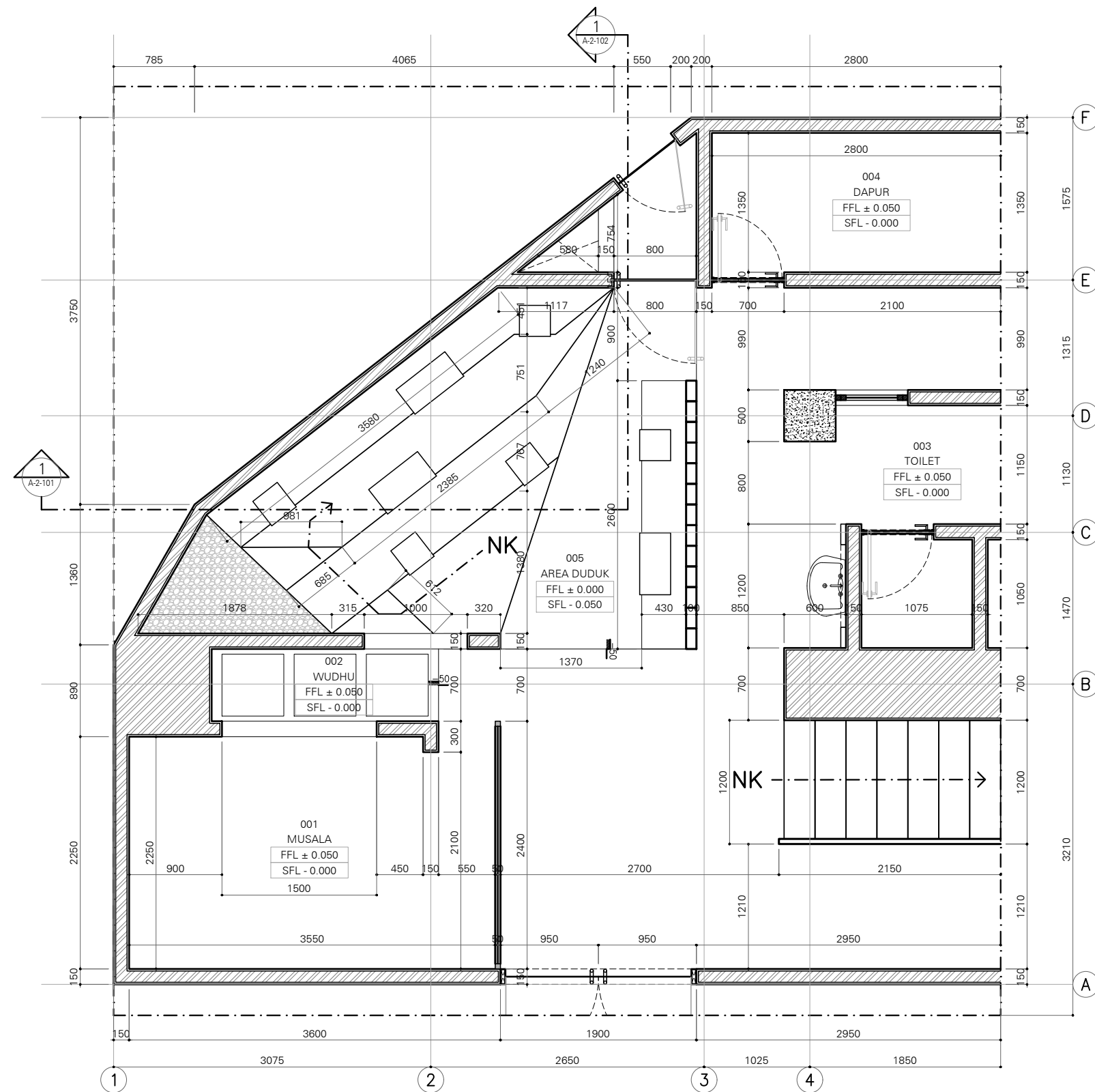
DRAWN BY: DARA DATE: 07.02.2026 REVISION: -

FORMAT: A3

DRAWING TITLE: DENAH UKURAN SCALE: 1 : 50

DRAWING NUMBER

A - 1 - 101



1 DENAH UKURAN
A-1-101 SKALA 1:50

KETERANGAN KODE MATERIAL

- W1 DINDING BATA MERAH EKSTING
- W2 DINDING BATA MERAH fin. KAMPROT HALUS (SEMPROT MESIN) LAPIS CAT EXTERIOR ABU ex. JOTUN SUAVE 9910
- W3 ROSTER BETON TERRACOTTA NAKO TAMPILAN 2 MUKA 20X20X10 CM
- W4 UBIN TERAKOTA 15X15 CM FIN. CLEAR COAT

REVISION

REV. NO	DATE	NOTES

KEY PLAN

THIS DOCUMENT IS PROPERTY OF DHANIE SAL AND SHALL NOT BE REPRODUCED OR DUPLICATED EXCEPT BY WRITTEN PERMISSION OF DHANIE SAL DO NOT SCALE FROM DRAWING.

STATUS

CONSTRUCTION DRAWINGS

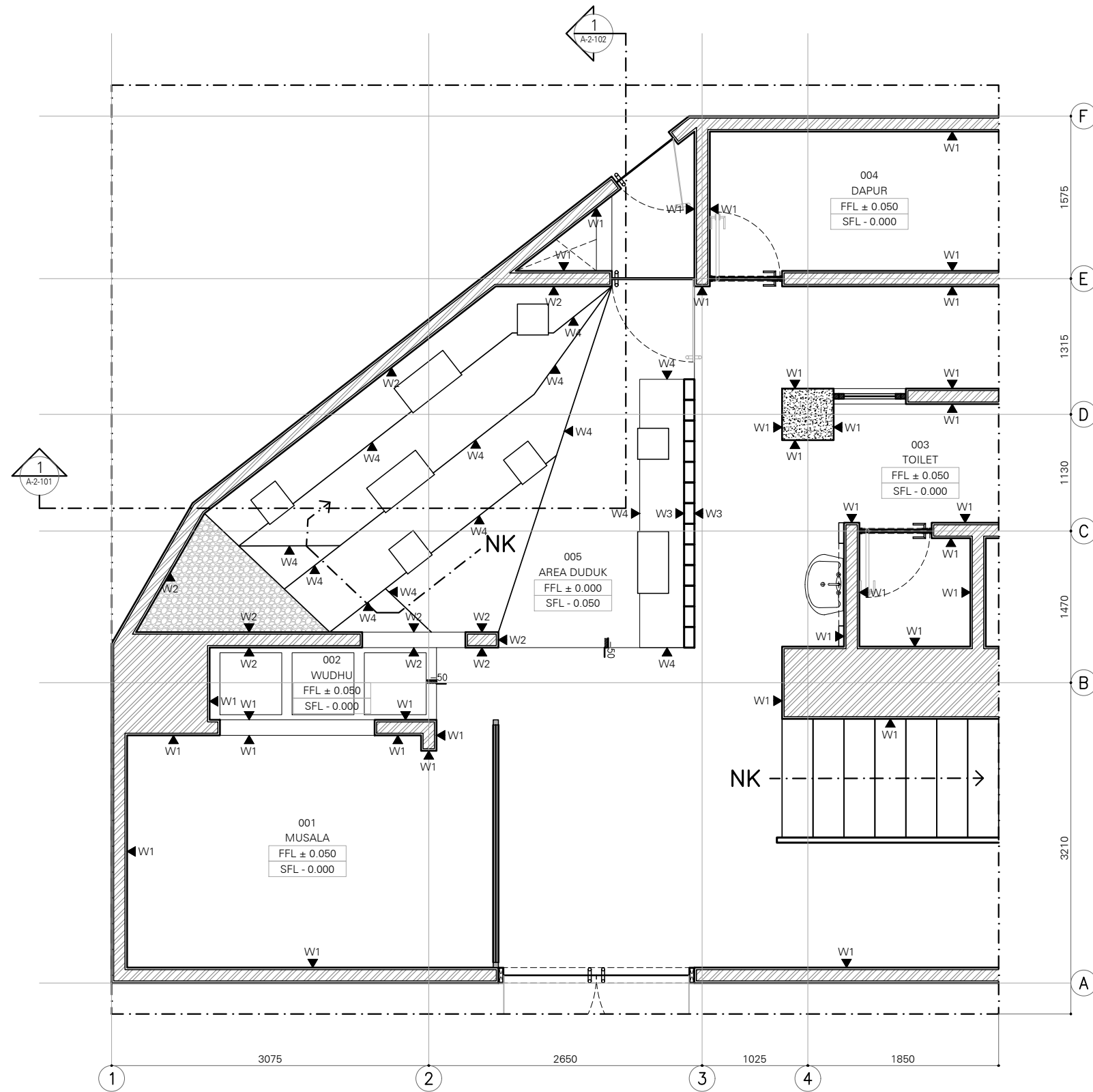
DRAWN BY DATE REVISION
DARA 07.02.2026 -

FORMAT
A3

DRAWING TITLE SCALE
DENAH MATERIAL 1 : 50

DRAWING NUMBER

A - 1 - 201



1 DENAH MATERIAL
A-1-201 SKALA 1:50

KETERANGAN KODE MATERIAL

- F1 LANTAI EKSTING
- F2 ANDESIT 60X60 CM FIN. BAKAR
- F3 UBIN TERAKOTA 15X15 CM FIN. CLEAR COAT
- F4 GRAVEL PLANTER BOX

REVISION

REV. NO	DATE	NOTES

KEY PLAN

THIS DOCUMENT IS PROPERTY OF DHANIE SAL AND SHALL NOT BE REPRODUCED OR DUPLICATED EXCEPT BY WRITTEN PERMISSION OF DHANIE SAL. DO NOT SCALE FROM DRAWING.

STATUS

CONSTRUCTION DRAWINGS

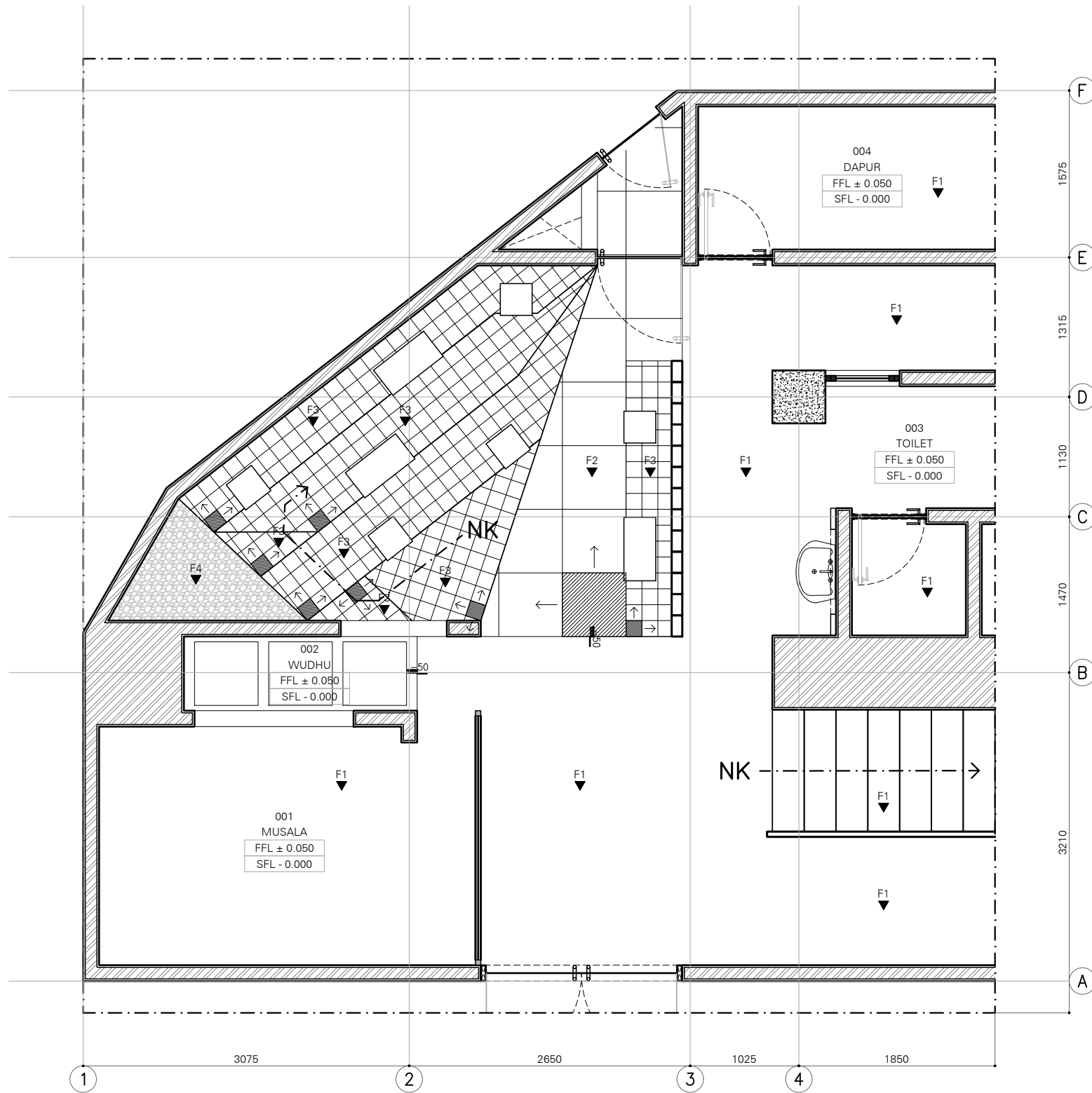
DRAWN BY: DARA DATE: 07.02.2026 REVISION: -

FORMAT: A3

DRAWING TITLE: DENAH POLA LANTAI SCALE: 1 : 50

DRAWING NUMBER

A - 1 - 301



1 DENAH POLA LANTAI
A-1-301 SKALA 1:50

KETERANGAN KODE MATERIAL

- ☐ LAMPU TAMAN SOROT WATERPROOF OUTDOOR MR16 BOHLAM 6W WARM WHITE
- ◊ LAMPU DINDING OVAL 1 ARAH WATERPROOF OUTDOOR MR16 BOHLAM 6W WARM WHITE UNTUK LOGO + 3.050 DI ATAS LANTAI
- ⚡ SAKLAR LAMPU 2 GANG
- JALUR LISTRIK
- ⌚ BROCO POWER SOCKET INTEGRA SERIES + COVER B152-66 GREY METALLIC

REVISION

REV. NO	DATE	NOTES

KEY PLAN

THIS DOCUMENT IS PROPERTY OF DHANIE SAL AND SHALL NOT BE REPRODUCED OR DUPLICATED EXCEPT BY WRITTEN PERMISSION OF DHANIE SAL. DO NOT SCALE FROM DRAWING.

STATUS

CONSTRUCTION DRAWINGS

DRAWN BY DATE REVISION

DARA 07.02.2026 -

FORMAT

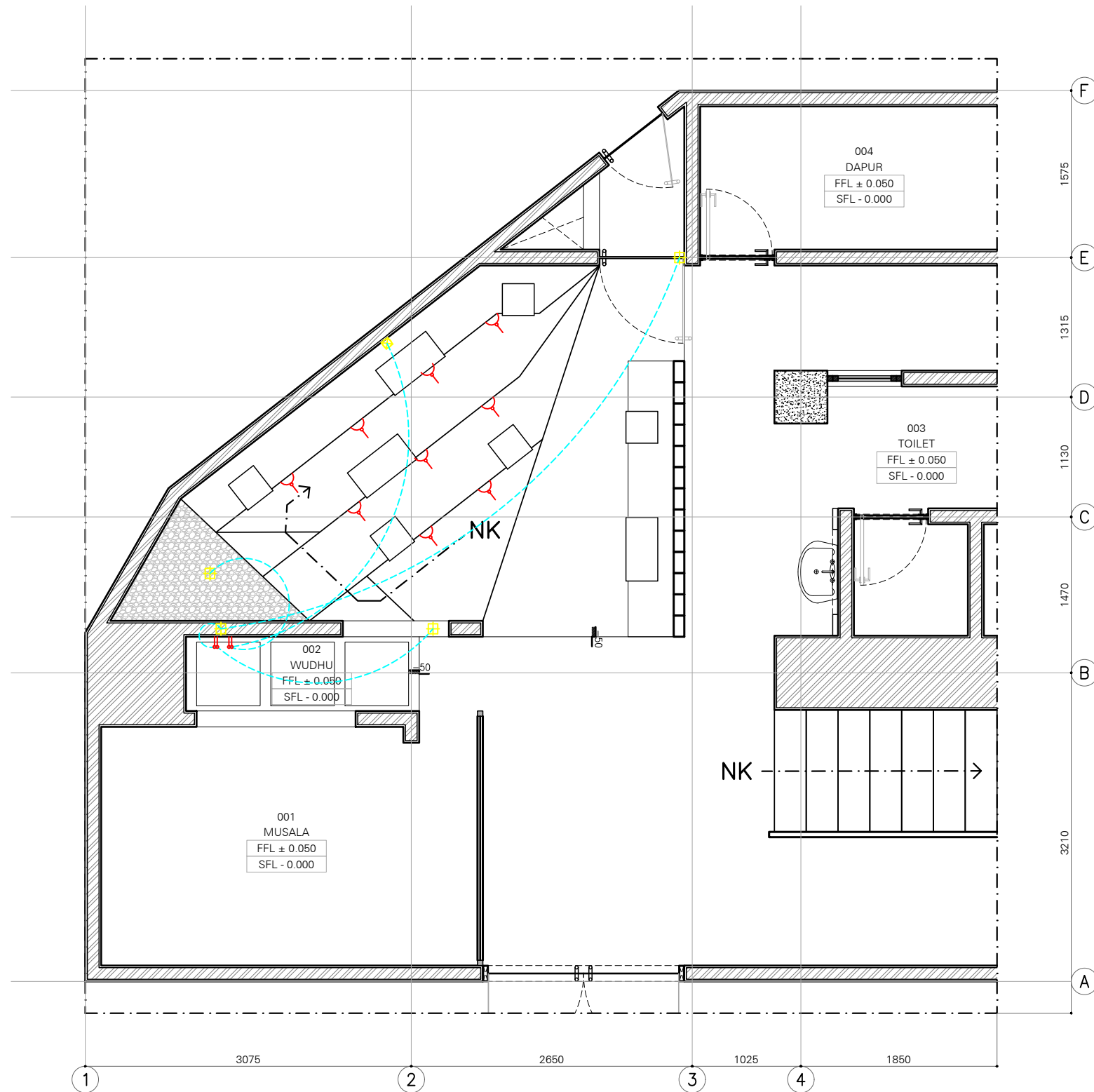
A3

DRAWING TITLE SCALE

DENAH LAMPU & LISTRIK 1 : 50

DRAWING NUMBER

A - 1 - 401



005
AREA DUDUK
FFL ± 0.000
SFL - 0.050

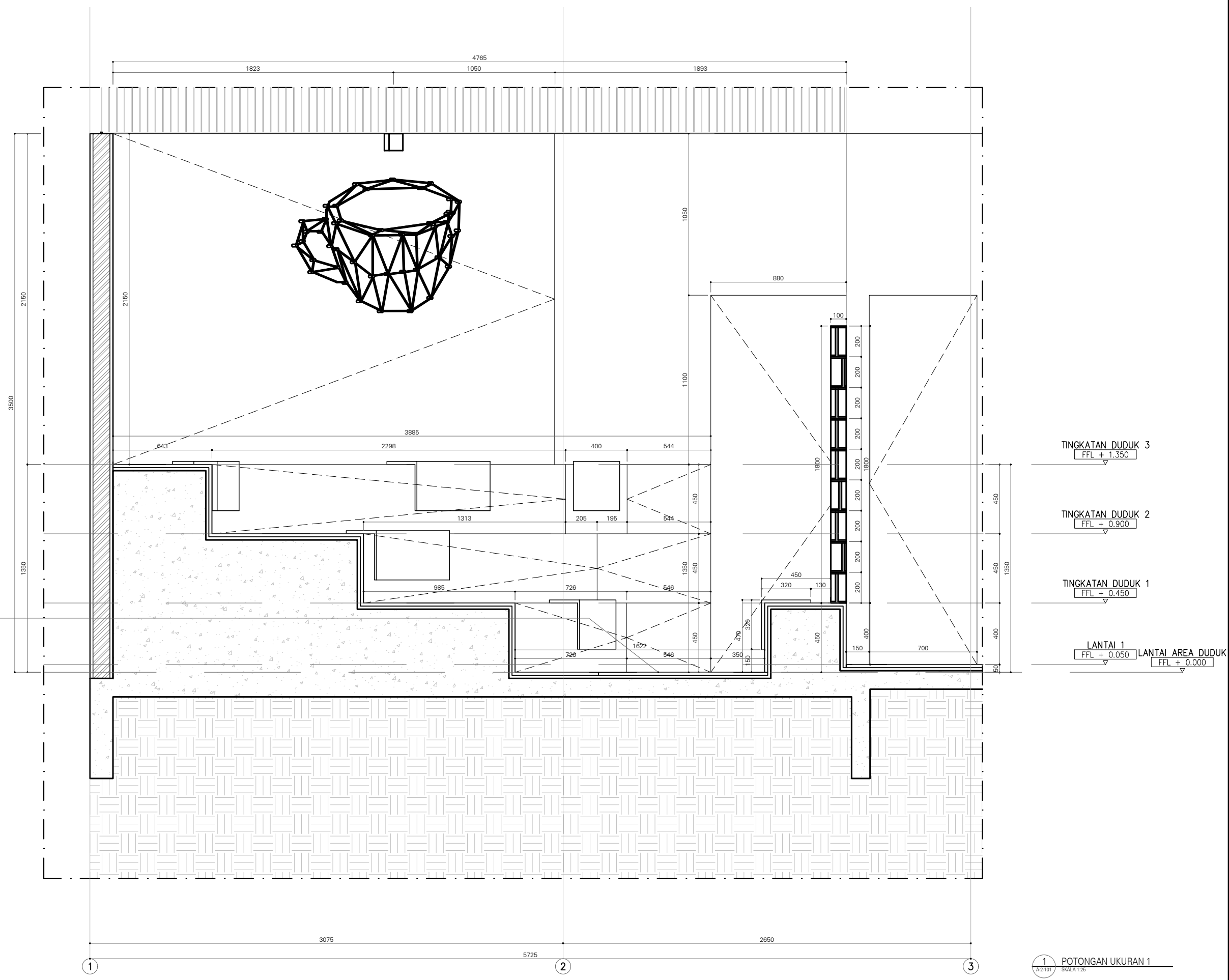
001
MUSALA
FFL ± 0.050
SFL - 0.000

002
WUDHU
FFL ± 0.050
SFL - 0.000

003
TOILET
FFL ± 0.050
SFL - 0.000

004
DAPUR
FFL ± 0.050
SFL - 0.000

1 DENAH POLA LANTAI
A-1-301 SKALA 1:50



REVISION

REV. NO	DATE	NOTES

KEY PLAN

THIS DOCUMENT IS PROPERTY OF DHANIE SAL AND SHALL NOT BE REPRODUCED OR DUPLICATED EXCEPT BY WRITTEN PERMISSION OF DHANIE SAL. DO NOT SCALE FROM DRAWING.

STATUS

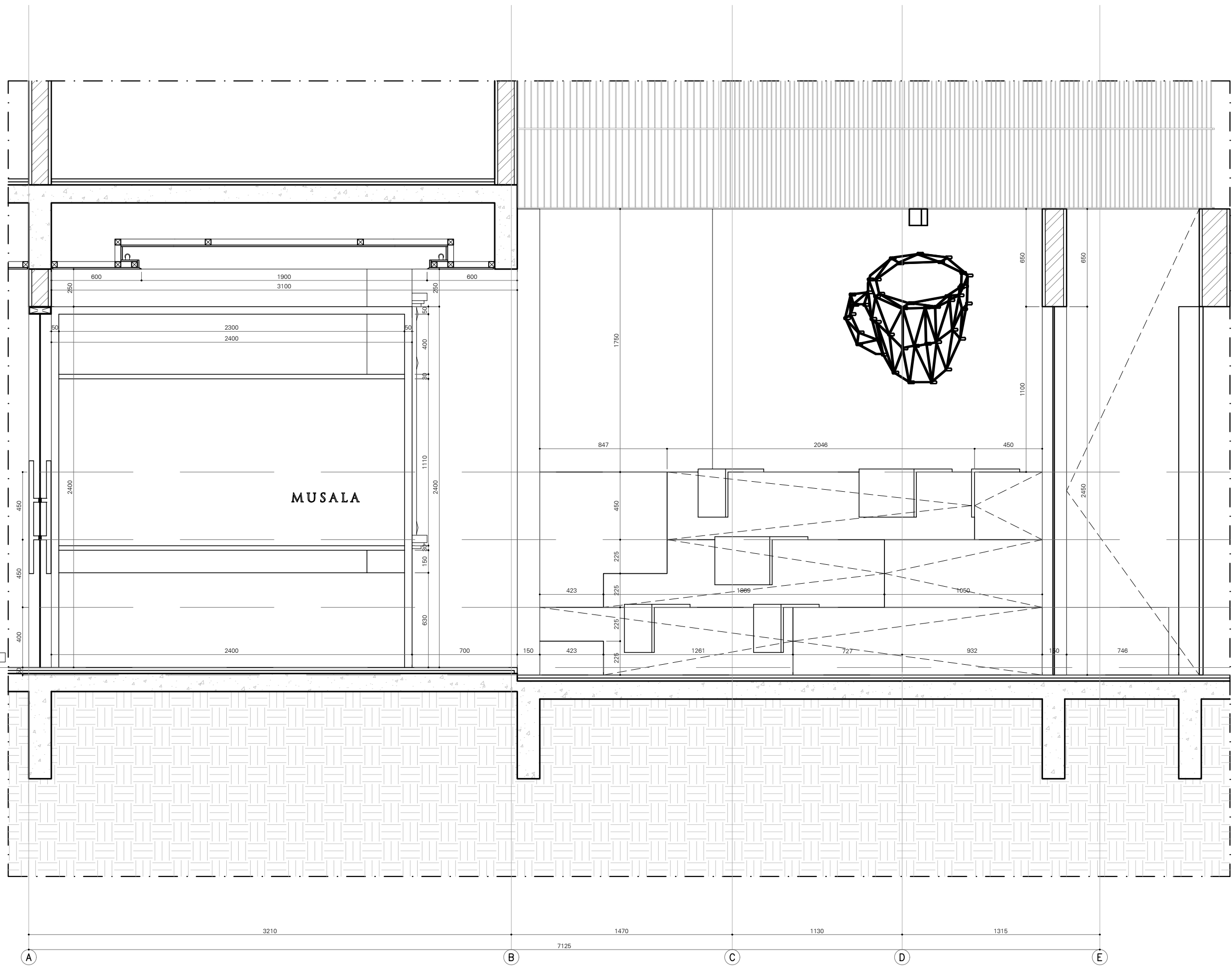
CONSTRUCTION DRAWING

DRAWN BY: DARA DATE: 09.02.2026 REVISION: -

FORMAT: A3

DRAWING TITLE: POTONGAN UKURAN SCALE: 1 : 25

DRAWING NUMBER



TINGKATAN DUDUK 3
FFL + 1.350

TINGKATAN DUDUK 2
FFL + 0.900

TINGKATAN DUDUK 1
FFL + 0.450

LANTAI 1
LANTAI AREA DUDUK
FFL + 0.050
FFL + 0.000

MUSALA

REVISION

REV. NO	DATE	NOTES

KEY PLAN

THIS DOCUMENT IS PROPERTY OF DHANIE SAL AND SHALL NOT BE REPRODUCED OR DUPLICATED EXCEPT BY WRITTEN PERMISSION OF DHANIE SAL. DO NOT SCALE FROM DRAWING.

STATUS

CONSTRUCTION DRAWING

DRAWN BY: DARA DATE: 09.02.2026 REVISION: -

FORMAT: A3

DRAWING TITLE: POTONGAN UKURAN SCALE: 1 : 25

DRAWING NUMBER

A - 2 - 102

KETERANGAN KODE MATERIAL

- W1 DINDING BATA MERAH EKSTING
- W2 DINDING BATA MERAH FIN. KAMPROT HALUS (SEMPROT MESIN) LAPIS CAT EXTERIOR ABU ex. JOTUN SUAVE 9910
- W3 ROSTER BETON TERRACOTTA NAKO TAMPILAN 2 MUKA 20X20X10 CM
- W4 UBIN TERAKOTA 15X15 CM FIN. CLEAR COAT
- F1 LANTAI EKSTING
- F2 ANDESIT 60X60 CM FIN. BAKAR
- F3 UBIN TERAKOTA 15X15 CM FIN. CLEAR COAT
- F4 GRAVEL PLANTER BOX

REVISION

REV. NO	DATE	NOTES

KEY PLAN

THIS DOCUMENT IS PROPERTY OF DHANIE SAL AND SHALL NOT BE REPRODUCED OR DUPLICATED EXCEPT BY WRITTEN PERMISSION OF DHANIE SAL DO NOT SCALE FROM DRAWING.

STATUS

CONSTRUCTION DRAWING

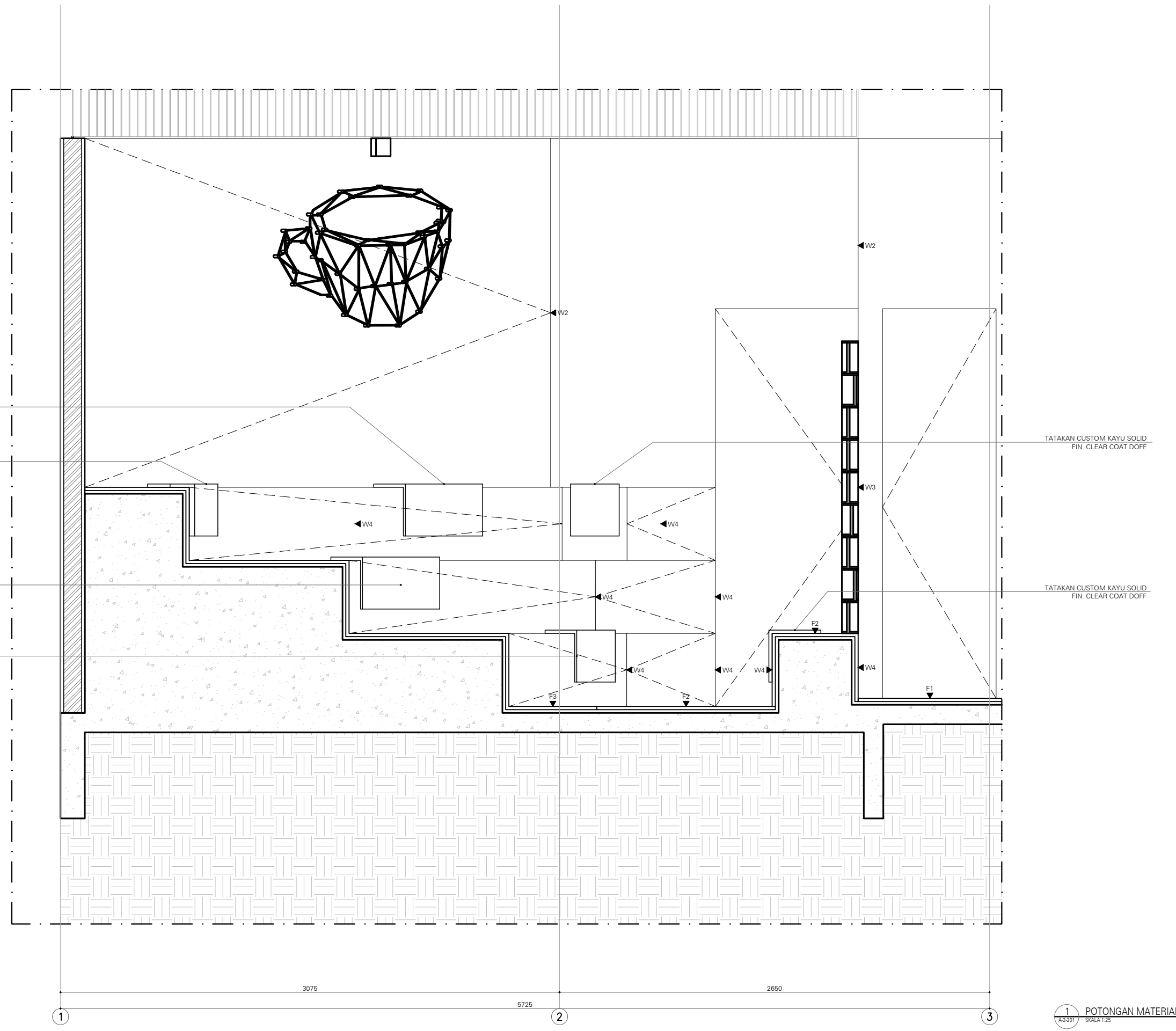
DRAWN BY: DARA DATE: 09.02.2026 REVISION: -

FORMAT: A3

DRAWING TITLE: POTONGAN UKURAN SCALE: 1 : 25

DRAWING NUMBER

A - 2 - 201



1 POTONGAN MATERIAL 1
A-2-201 SKALA 1:25

KETERANGAN KODE MATERIAL

- W1 DINDING BATA MERAH EKSTING
- W2 DINDING BATA MERAH FIN. KAMPROT HALUS (SEMPROT MESIN) LAPIS CAT EXTERIOR ABU ex. JOTUN SUAVE 9910
- W3 ROSTER BETON TERRACOTTA NAKO TAMPILAN 2 MUKA 20X20X10 CM
- W4 UBIN TERAKOTA 15X15 CM FIN. CLEAR COAT
- F1 LANTAI EKSTING
- F2 ANDESIT 60X60 CM FIN. BAKAR
- F3 UBIN TERAKOTA 15X15 CM FIN. CLEAR COAT
- F4 GRAVEL PLANTER BOX

REVISION

REV. NO	DATE	NOTES

KEY PLAN

THIS DOCUMENT IS PROPERTY OF DHANIE SAL AND SHALL NOT BE REPRODUCED OR DUPLICATED EXCEPT BY WRITTEN PERMISSION OF DHANIE SAL. DO NOT SCALE FROM DRAWING.

STATUS

CONSTRUCTION DRAWING

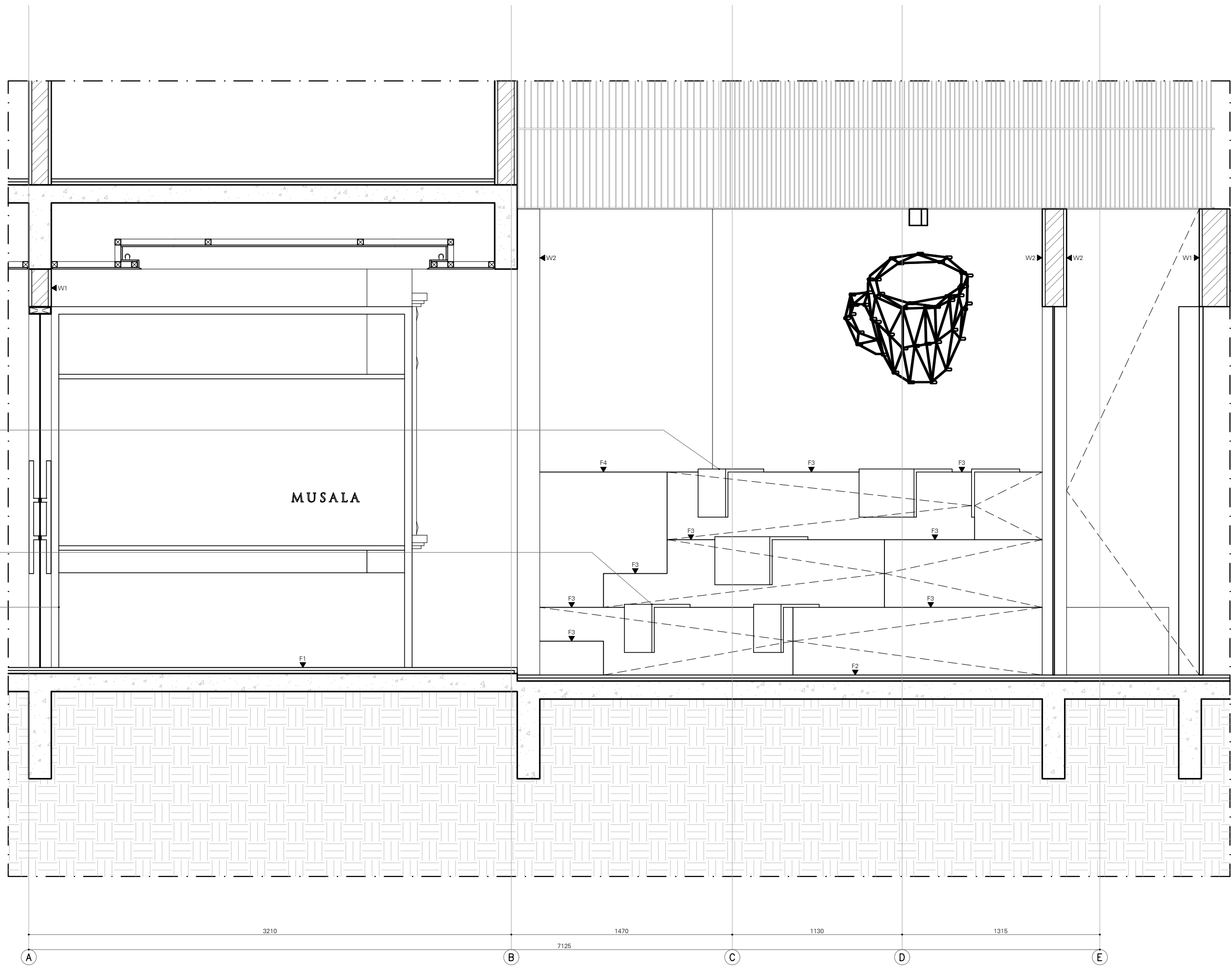
DRAWN BY: DARA DATE: 09.02.2026 REVISION: -

FORMAT: A3

DRAWING TITLE: POTONGAN UKURAN SCALE: 1 : 25

DRAWING NUMBER

A - 2 - 202



TATAKAN CUSTOM KAYU SOLID
FIN. CLEAR COAT DOFF

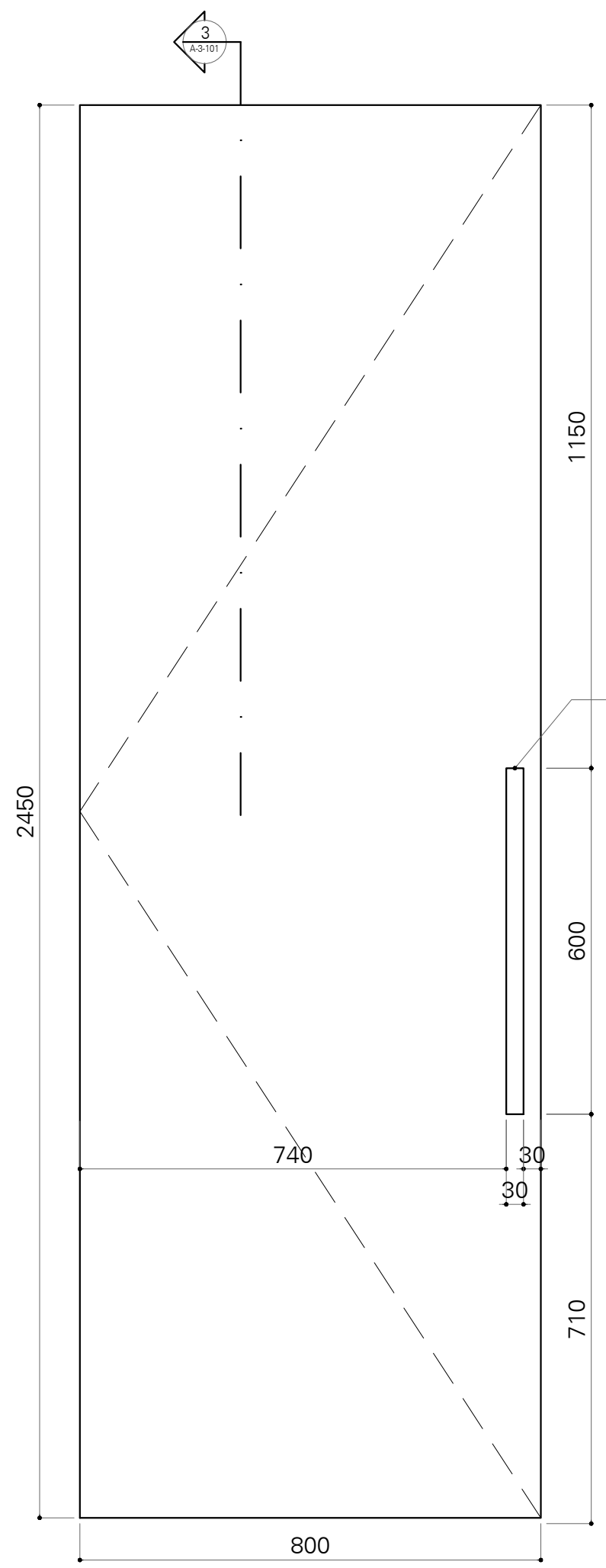
TATAKAN CUSTOM KAYU SOLID
FIN. CLEAR COAT DOFF

PARTISI MUSALA CUSTOM

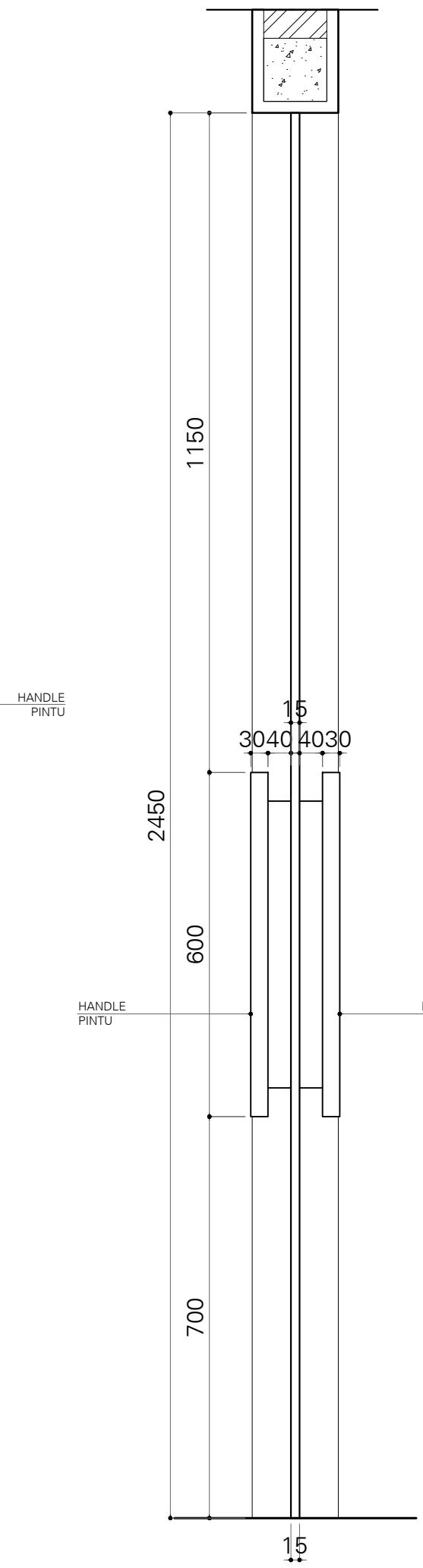
MUSALA

A 3210 B 7125 C 1470 D 1130 E 1315

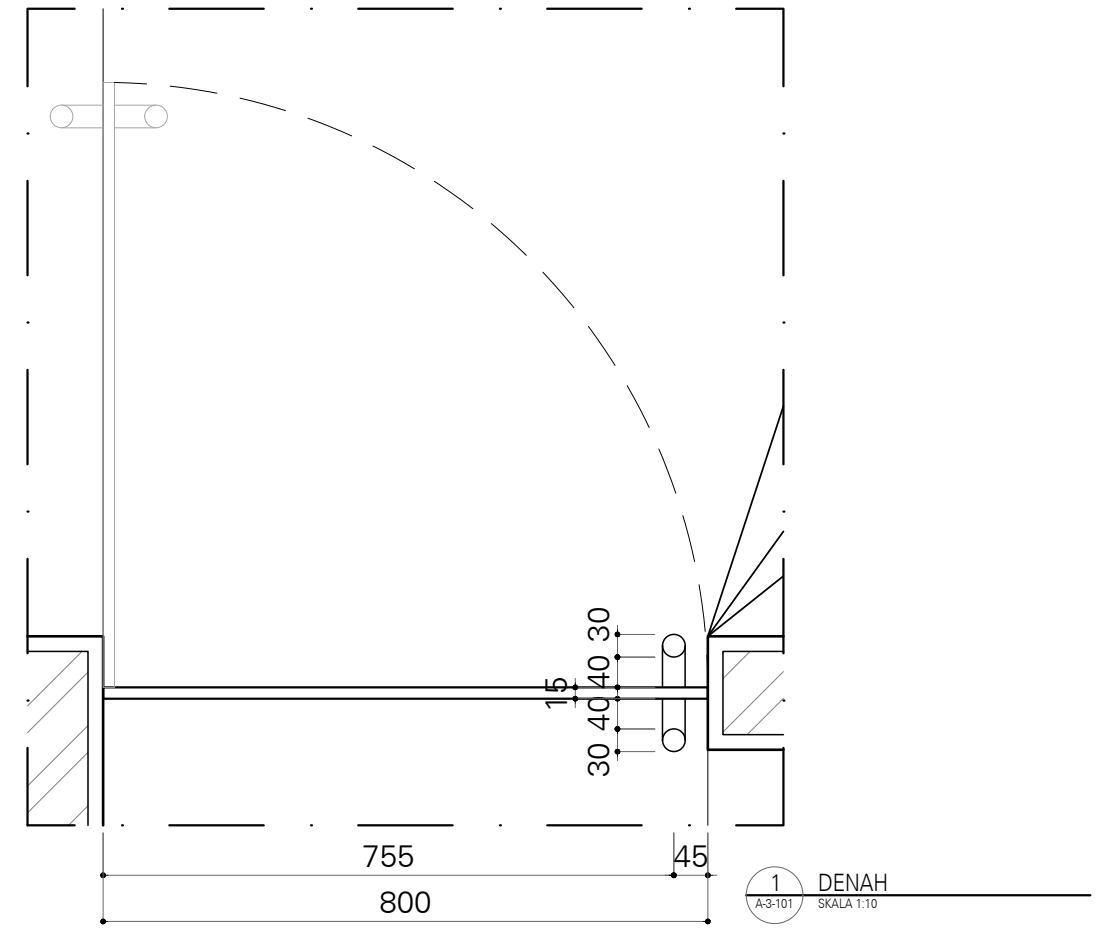
1 POTONGAN MATERIAL 2
A-2102 SKALA 1:25



2 TAMPAK
A-3-101 SKALA 1:10



3 POTONGAN
A-3-101 SKALA 1:10



1 DENAH
A-3-101 SKALA 1:10

TYPE PINTU		PB-01	
DIMENSI DAUN		L800MM T2450MM	
TEBAL		15MM	
MATERIAL	FRAME	-	
	PANEL	BESI TEBAL 10MM	
FINISH	FRAME	-	
	PANEL	CAT BESI HITAM DOFF	
LOCKSET			
HANDLE		CUSTOM	
PIVOT			
ESCUTHEON			
ROSES			
DOUBLE CYLINDER			
ESCUTHEON			
DOOR STOPPER			
JUMLAH		1 BUAH	

REVISION

REV. NO	DATE	NOTES

KEY PLAN

THIS DOCUMENT IS PROPERTY OF DHANIE SAL AND SHALL NOT BE REPRODUCED OR DUPLICATED EXCEPT BY WRITTEN PERMISSION OF DHANIE SAL. DO NOT SCALE FROM DRAWING.

STATUS

CONSTRUCTION DRAWING

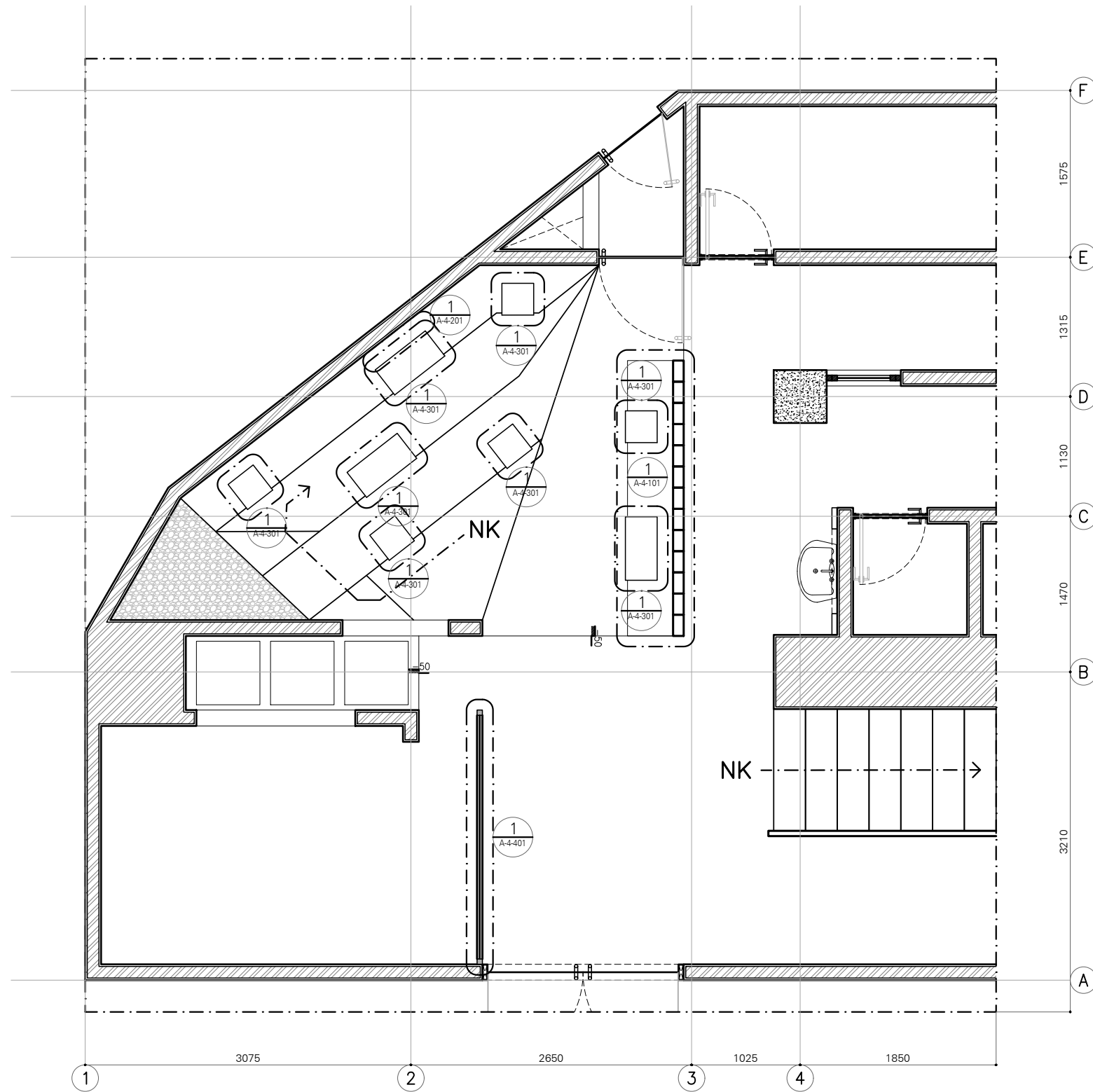
DRAWN BY: DARA DATE: 09.02.2026 REVISION: -

FORMAT: A3

DRAWING TITLE: DETAIL PINTU BESI SCALE: 1:10

DRAWING NUMBER

A-3-101



1 DENAH KUNCI DETAIL ARSITEKTUR & INTERIOR
A-1-501 SKALA 1:50

REVISION

REV. NO	DATE	NOTES

KEY PLAN

THIS DOCUMENT IS PROPERTY OF DHANIE SAL AND SHALL NOT BE REPRODUCED OR DUPLICATED EXCEPT BY WRITTEN PERMISSION OF DHANIE SAL. DO NOT SCALE FROM DRAWING.

STATUS

CONSTRUCTION DRAWINGS

DRAWN BY: DARA DATE: 07.02.2026 REVISION: -

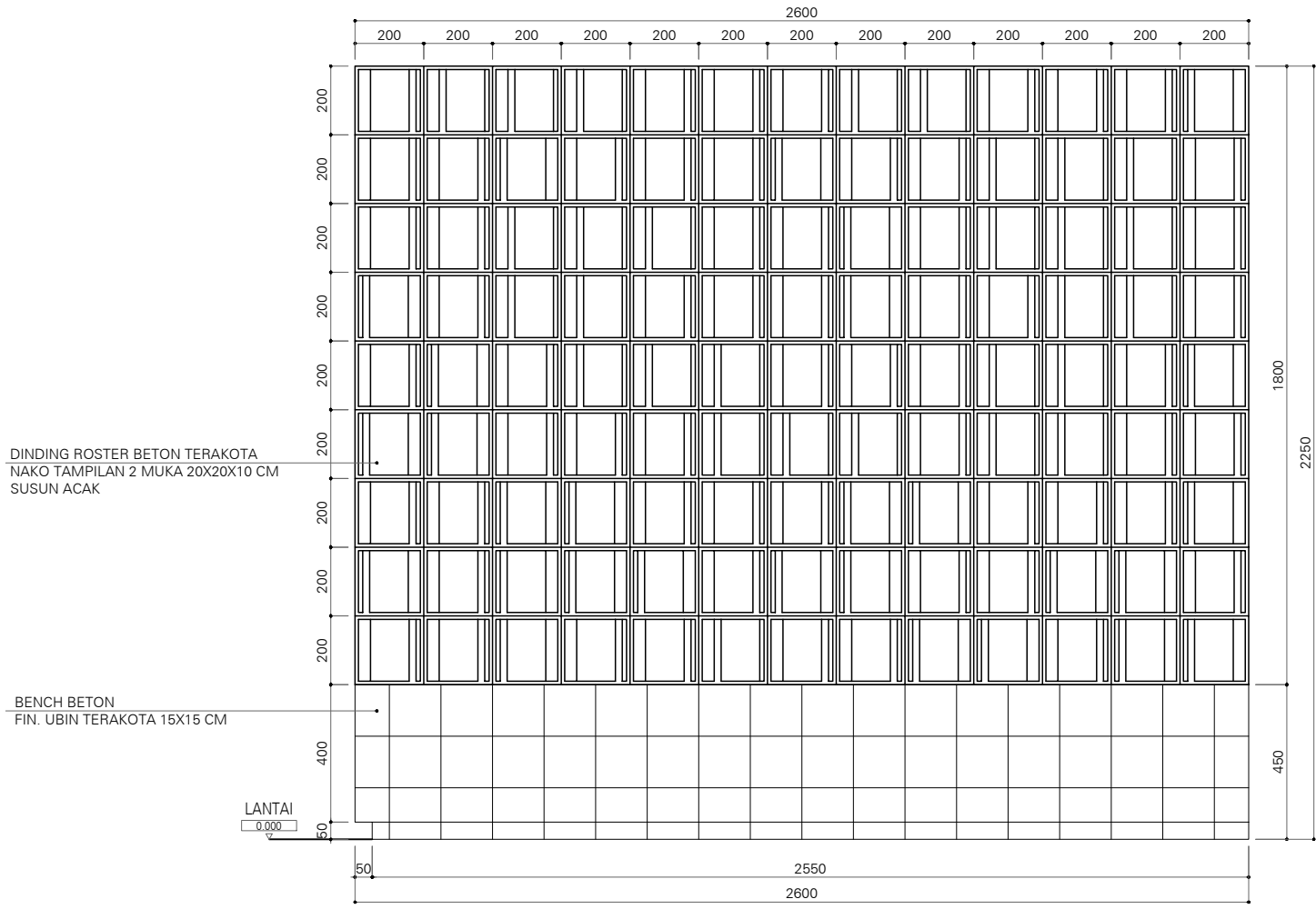
FORMAT: A3

DRAWING TITLE: DENAH KUNCI DETAIL ARSITEKTUR & INTERIOR SCALE: 1:50

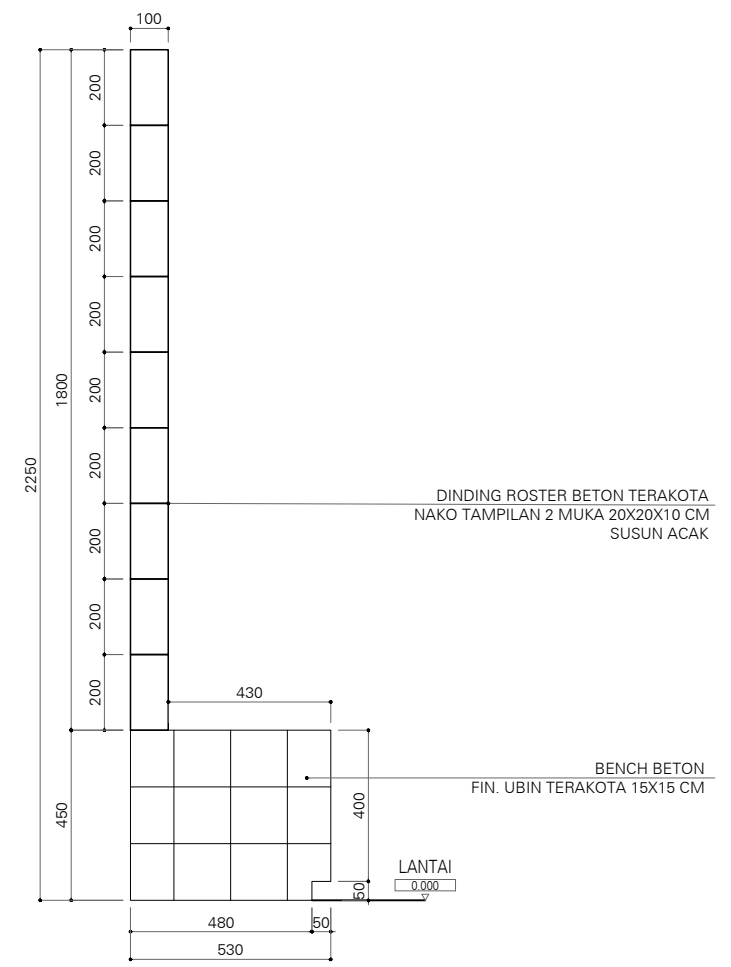
DRAWING NUMBER: A-1-501

DRAWING NUMBER

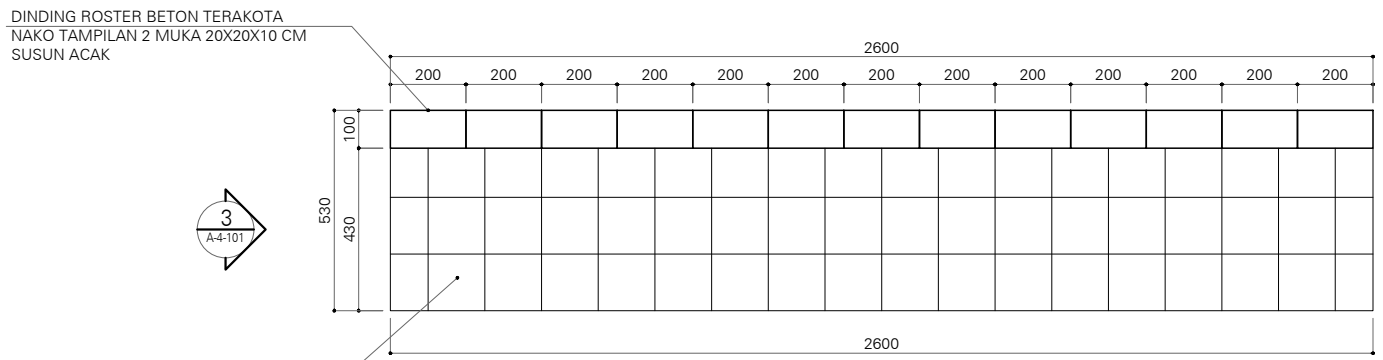
A - 1 - 501



2 TAMPAK DEPAN BENCH & DINDING
A-4-101 SKALA 1 : 20



3 TAMPAK SAMPING BENCH & DINDING
A-4-101 SKALA 1 : 20



1 TAMPAK ATAS BENCH & DINDING
A-4-101 SKALA 1 : 20

REVISION

REV. NO	DATE	NOTES

KEY PLAN

THIS DOCUMENT IS PROPERTY OF DHANIE SAL AND SHALL NOT BE REPRODUCED OR DUPLICATED EXCEPT BY WRITTEN PERMISSION OF DHANIE SAL. DO NOT SCALE FROM DRAWING.

STATUS

CONSTRUCTION DRAWING

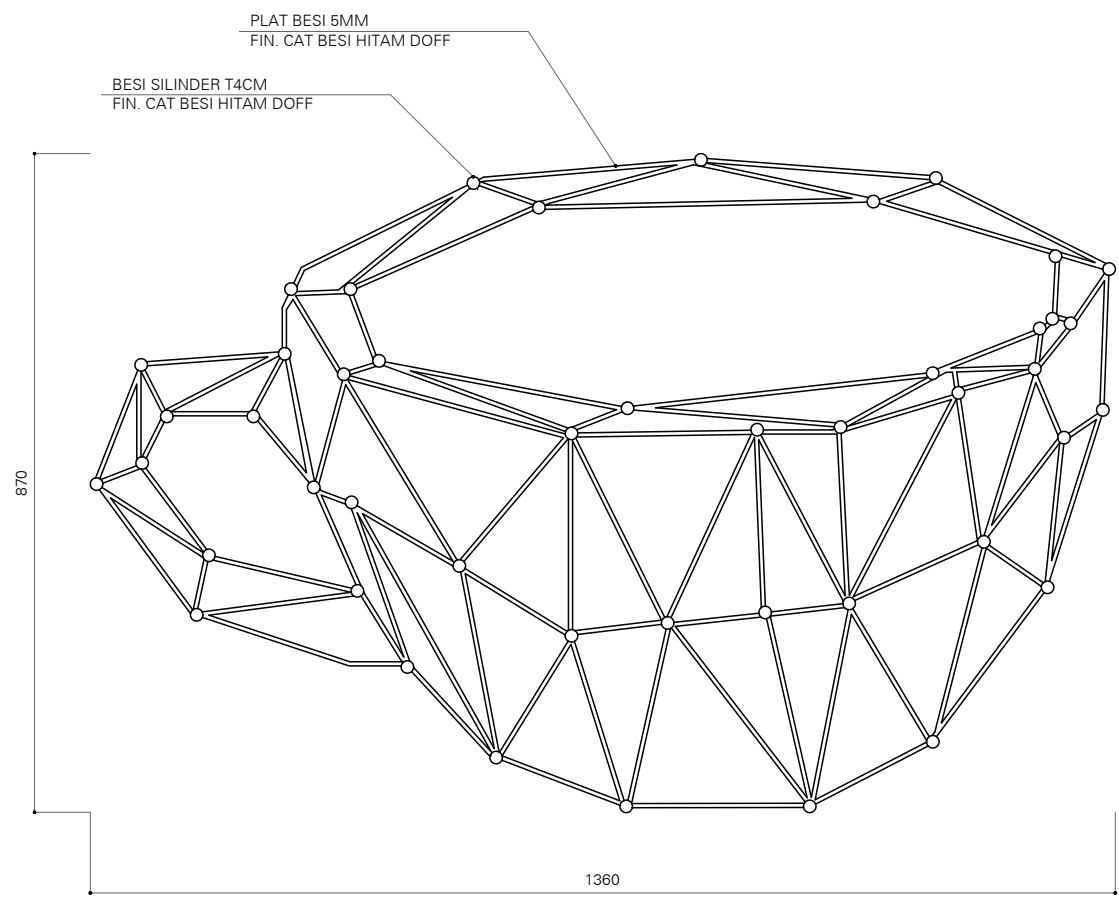
DRAWN BY: DARA DATE: 09.02.2026 REVISION: -

FORMAT: A3

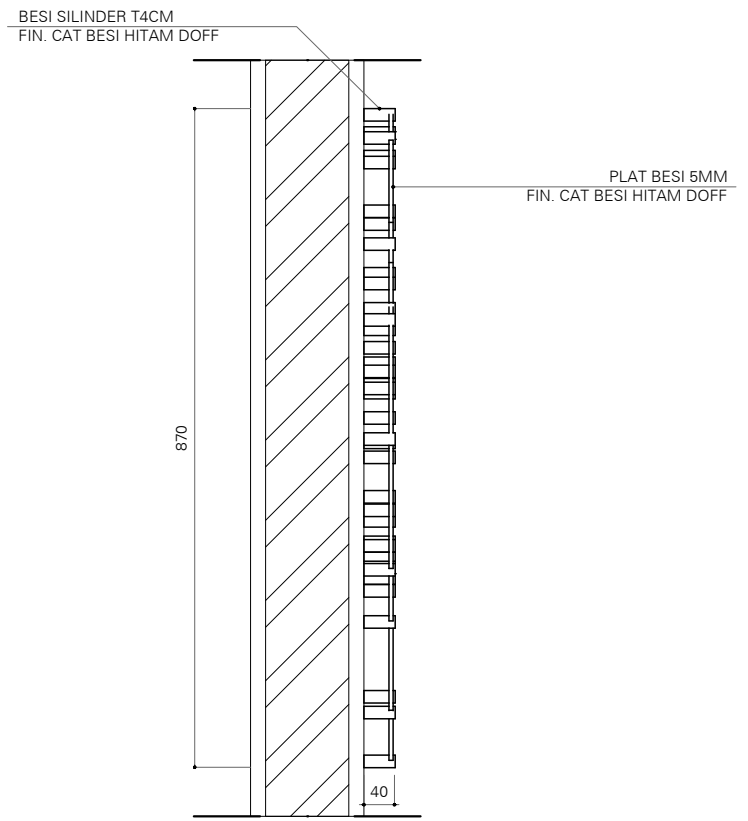
DRAWING TITLE: DETAIL BENCH & DINDING ROSTER SCALE: 1 : 20

DRAWING NUMBER

A - 4 - 101



1 TAMPAK DEPAN
A-4-201 SKALA 1:10



2 TAMPAK SAMPING
A-4-201 SKALA 1:10

REVISION

REV. NO	DATE	NOTES

KEY PLAN

THIS DOCUMENT IS PROPERTY OF DHANIE SAL AND SHALL NOT BE REPRODUCED OR DUPLICATED EXCEPT BY WRITTEN PERMISSION OF DHANIE SAL. DO NOT SCALE FROM DRAWING.

STATUS

CONSTRUCTION DRAWING

DRAWN BY: DARA DATE: 09.02.2026 REVISION: -

FORMAT: A3

DRAWING TITLE: DETAIL SIGNAGE LOGO SCALE: 1 : 10

DRAWING NUMBER

A - 4 - 201

REVISION

REV. NO	DATE	NOTES

KEY PLAN

THIS DOCUMENT IS PROPERTY OF DHANIE SAL AND SHALL NOT BE REPRODUCED OR DUPLICATED EXCEPT BY WRITTEN PERMISSION OF DHANIE SAL. DO NOT SCALE FROM DRAWING.

STATUS

CONSTRUCTION DRAWING

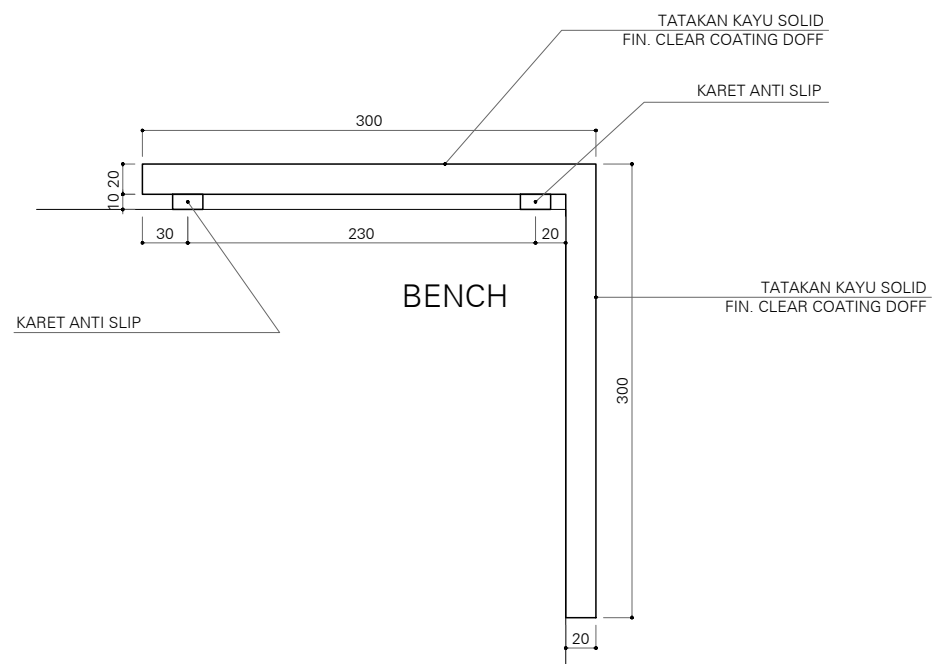
DRAWN BY: DARA DATE: 09.02.2026 REVISION: -

FORMAT: A3

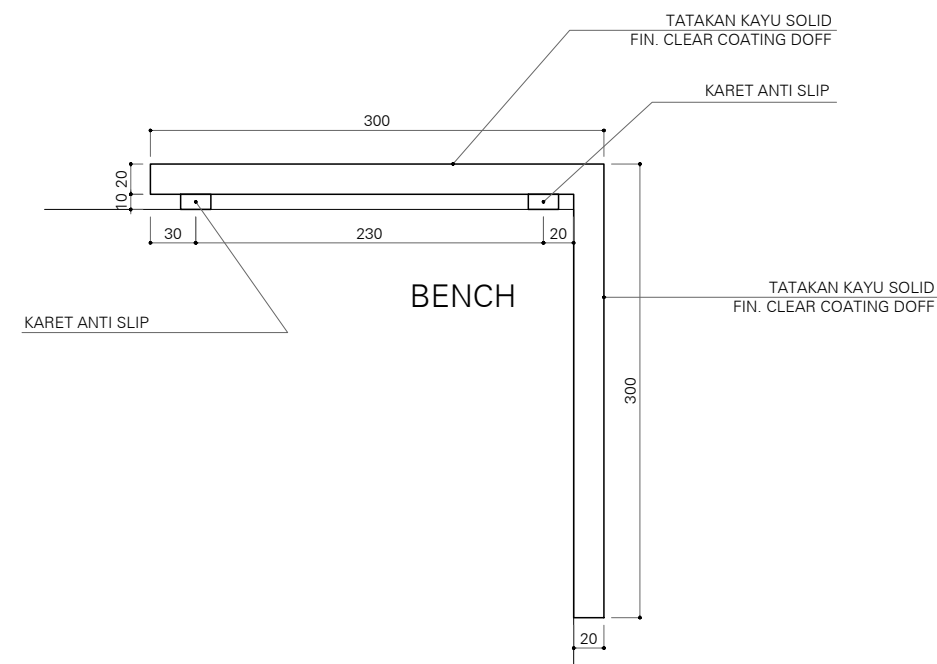
DRAWING TITLE: DETAIL TATAKAN KAYU SCALE: 1 : 5

DRAWING NUMBER

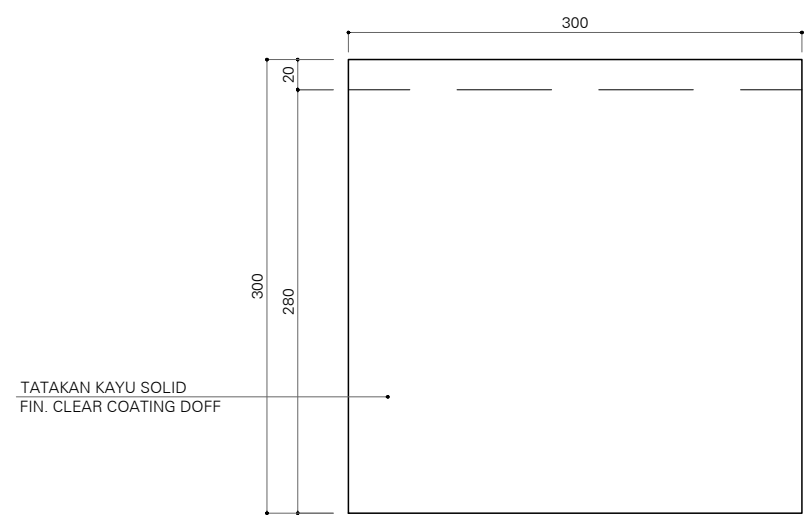
A - 4 - 301



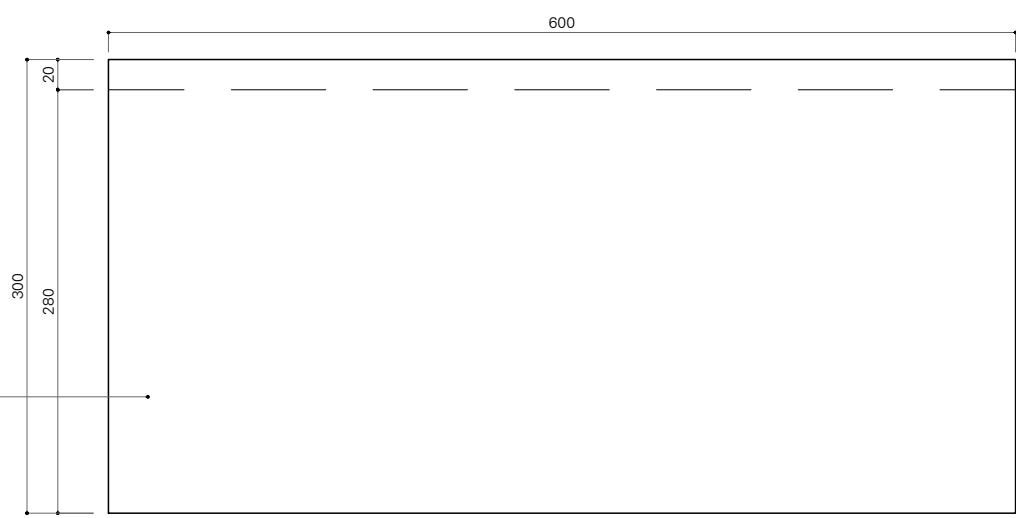
3 TAMPAK SAMPING TATAKAN KECIL
 A-4-301 SKALA 1:5



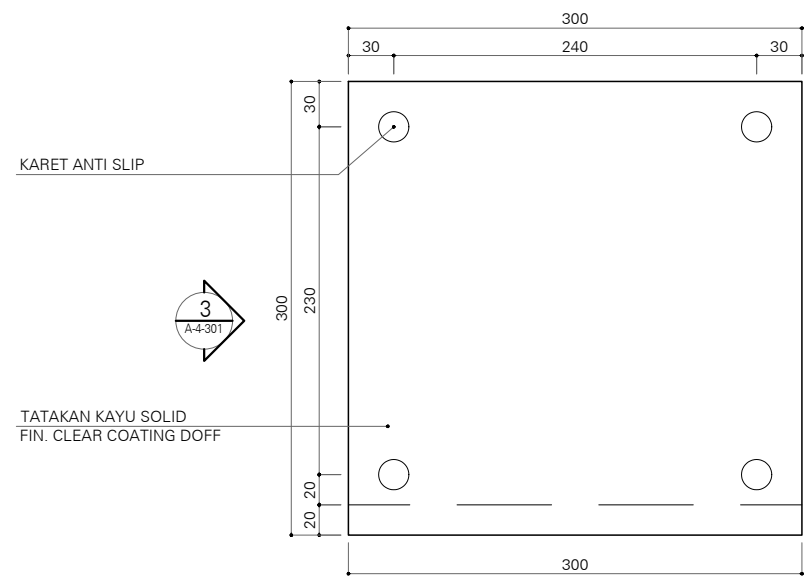
6 TAMPAK SAMPING TATAKAN BESAR
 A-4-301 SKALA 1:5



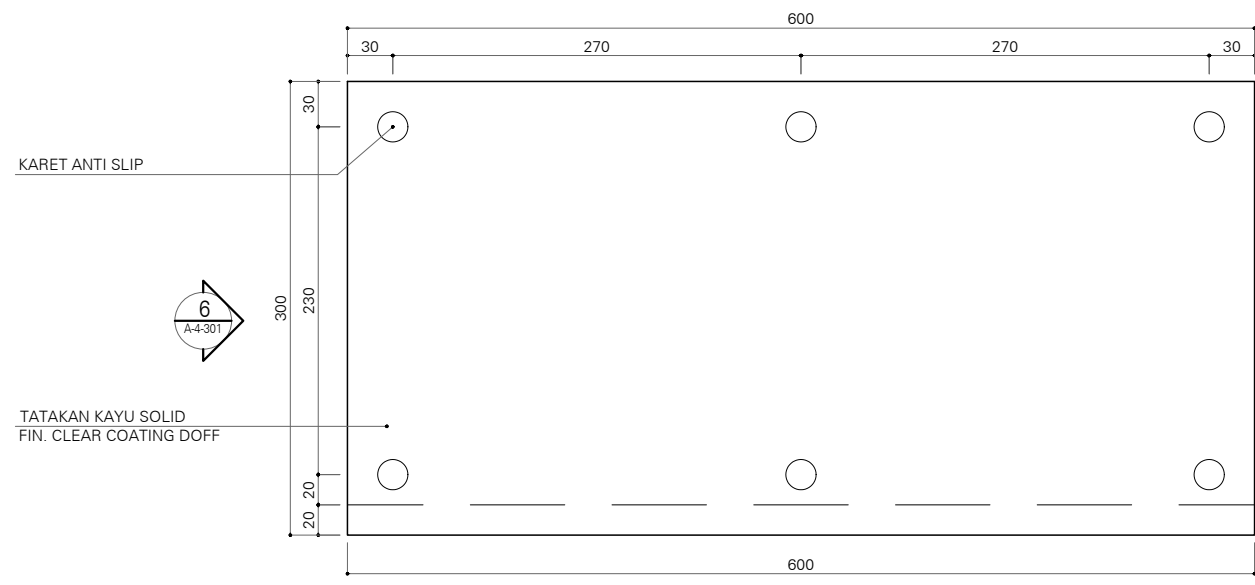
2 TAMPAK DEPAN TATAKAN KECIL
 A-4-301 SKALA 1:5



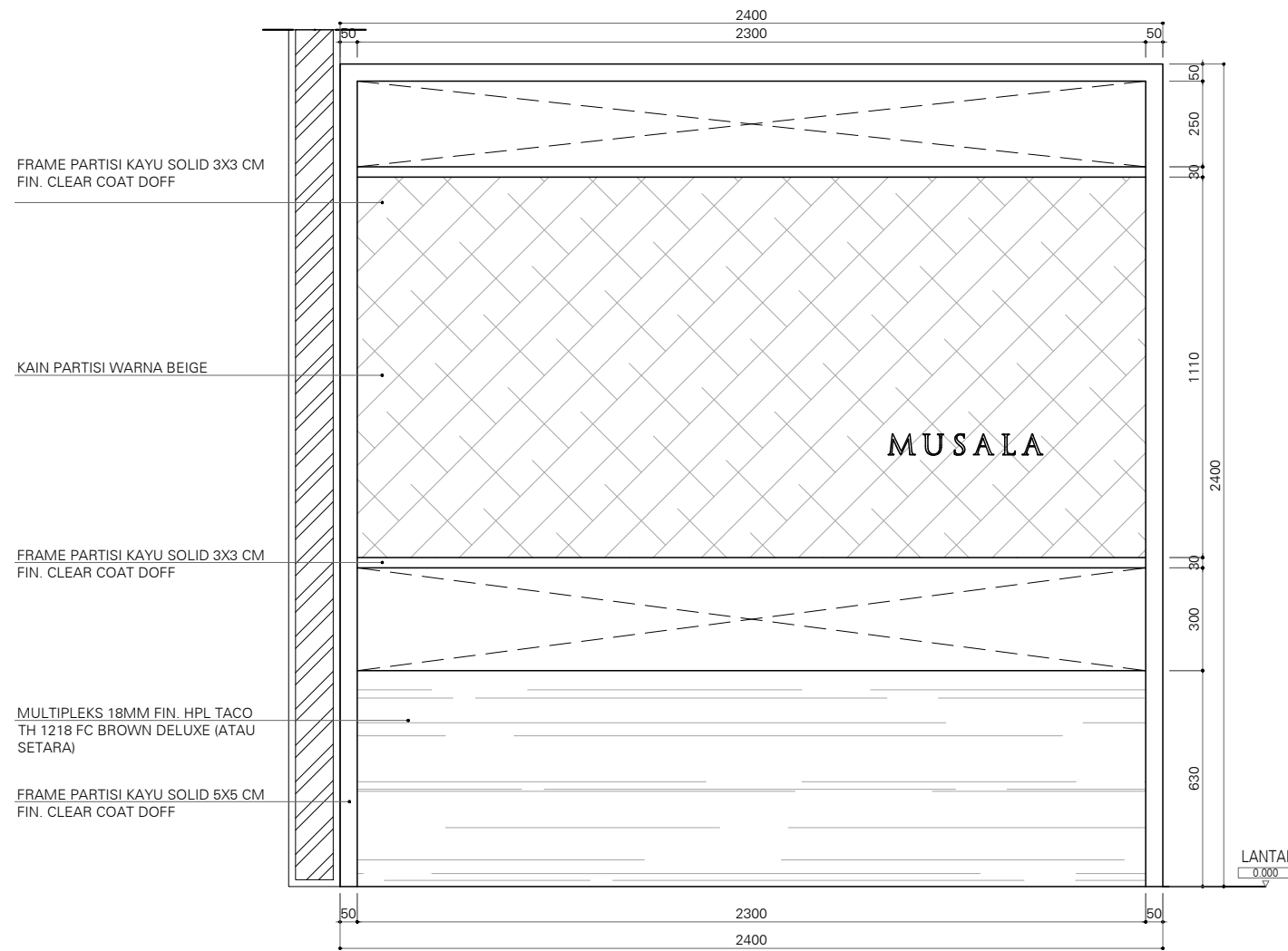
5 TAMPAK DEPAN TATAKAN BESAR
 A-4-301 SKALA 1:5



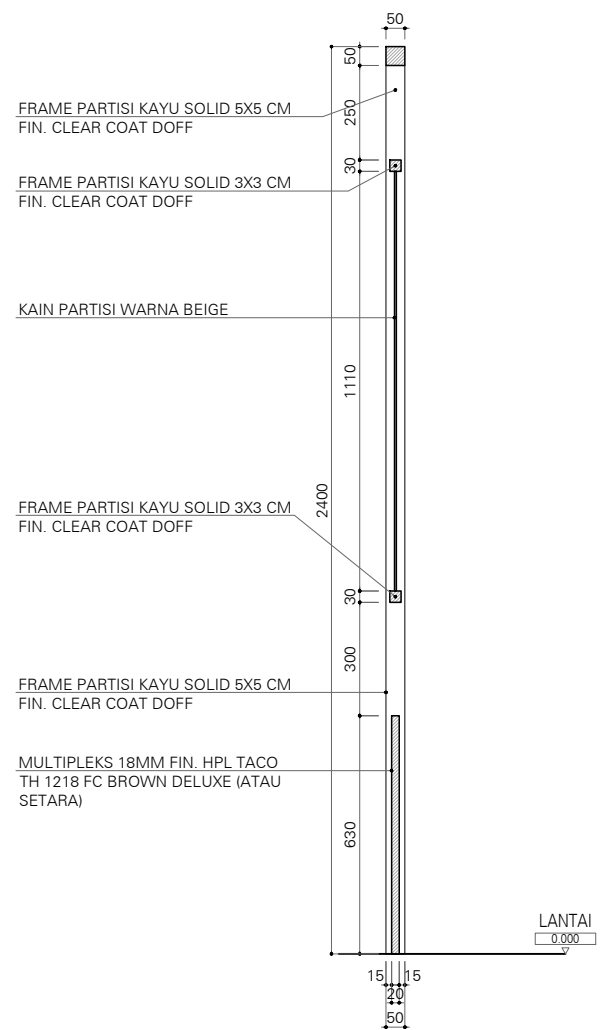
1 TAMPAK ATAS TATAKAN KECIL
 A-4-301 SKALA 1:5



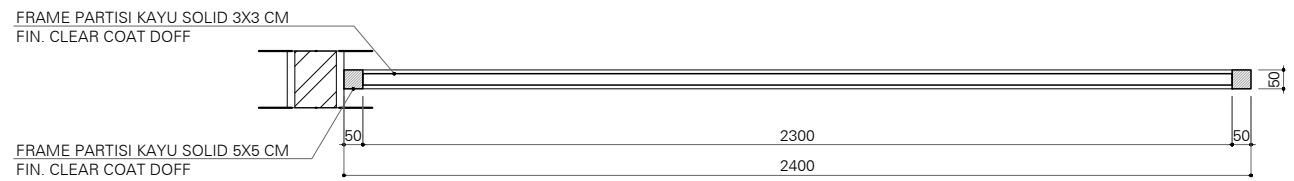
4 TAMPAK ATAS TATAKAN BESAR
 A-4-301 SKALA 1:5



2 TAMPAK DEPAN PARTISI
A-4-401 SKALA 1 : 20



3 POTONGAN PARTISI
A-4-401 SKALA 1 : 20



1 TAMPAK ATAS PARTISI
A-4-401 SKALA 1 : 20



4 PERSPEKTIF PARTISI
A-4-401 NTS

REVISION

REV. NO	DATE	NOTES

KEY PLAN

THIS DOCUMENT IS PROPERTY OF DHANIE SAL AND SHALL NOT BE REPRODUCED OR DUPLICATED EXCEPT BY WRITTEN PERMISSION OF DHANIE SAL. DO NOT SCALE FROM DRAWING.

STATUS

CONSTRUCTION DRAWING

DRAWN BY: DARA DATE: 09.02.2026 REVISION: -

FORMAT: A3

DRAWING TITLE: DETAIL PARTISI MUSALA SCALE: 1 : 20

DRAWING NUMBER

A - 4 - 401

REV. NO	DATE	NOTES

THIS DOCUMENT IS PROPERTY OF DHANIE SAL AND SHALL NOT BE REPRODUCED OR DUPLICATED EXCEPT BY WRITTEN PERMISSION OF DHANIE SAL DO NOT SCALE FROM DRAWING.

DRAWN BY: DARA DATE: 09.02.2026 REVISION: -

FORMAT: A3

DRAWING TITLE: PERSPEKTIF SCALE: NTS

